

MPDRK-15 Kit

DIN Rail Mounting Kit For Modular Chassis Mount, 15W AC/DC Power Supplies



Key Features (Kit + Module):

- 15W Output Power
- Universal 85-265 VAC Input
- DIN Rail Mounting
- Compact Encapsulated Module
- EN60950 Approved
- Single, Dual & Triple Outputs
- Meets EN55022 B

Kit adapts the MPM-15CM (modular 15W, chassis mount power supplies) series for use with a DIN rail.

PC Board Mount Models Available!

Chassis Mount Models Available!



MicroPower Direct



Kit includes mounting plate, Din Rail clip and all required screws.

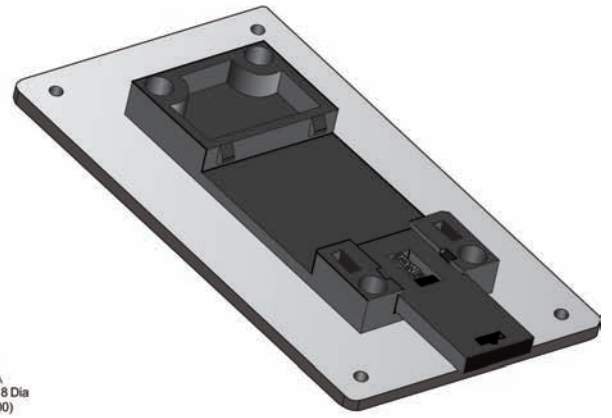
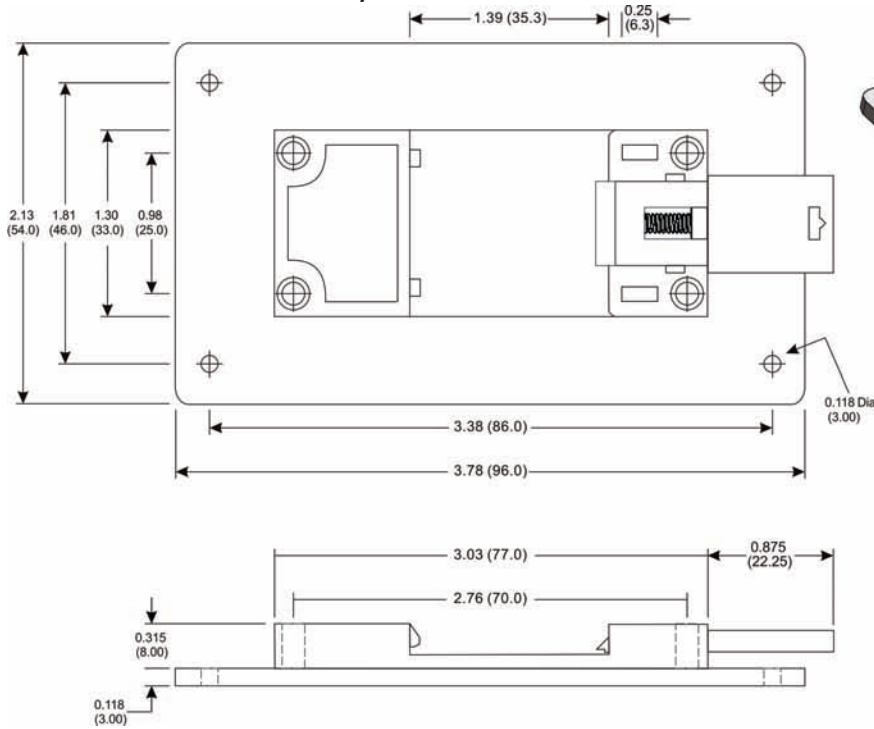


Din Rail Clip

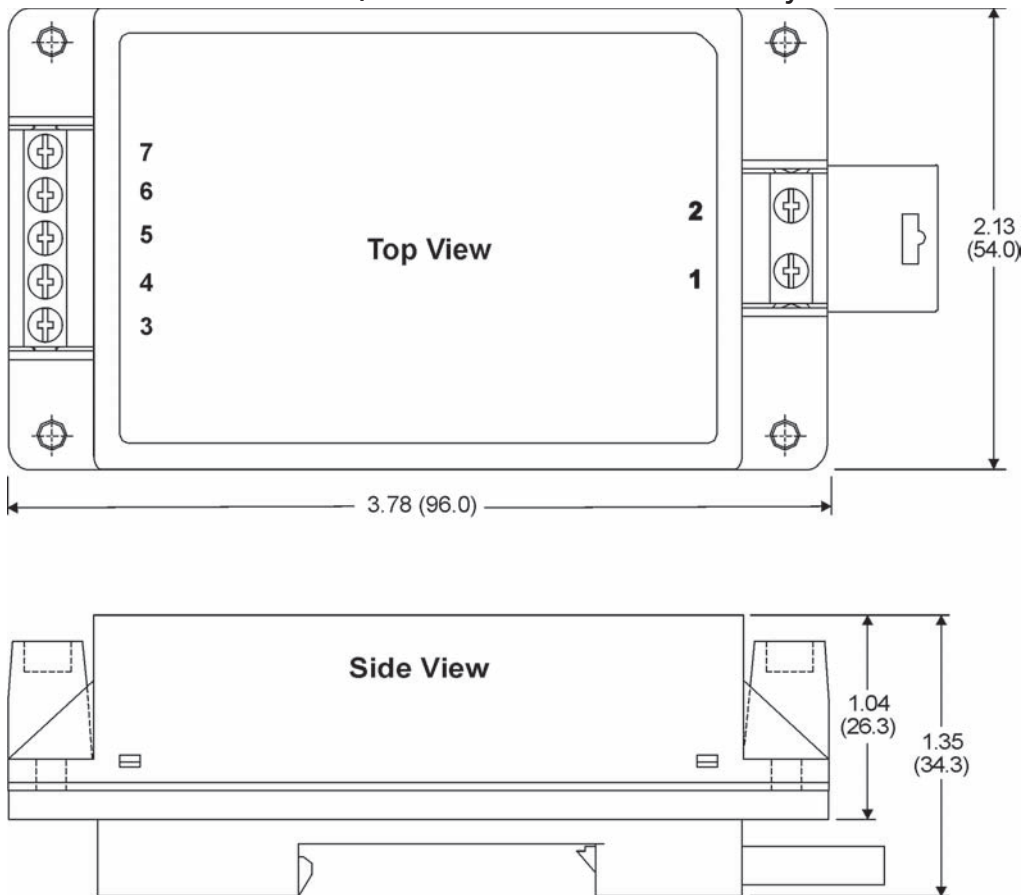
Mounting Plate (Aluminum)

AC/DC Module

Mechanical Dimensions, DIN Mount Kit



Mechanical Dimensions, Module/DIN Rail Mount Assembly



Ordering Information

Kit No.	For Models
MPDRK-15	MPM-15CM Series

Pin Connection

Pin	Single	Dual	Triple
1		AC-Neutral	
2		AC-Line	
3	+Vo	+Vo	+Vo 2
4	NC	NC	+Vo 1
5	-Vo	Common	Common 2/3
6	NC	NC	-Vo 1
7	NC	-Vo	+Vo 3

NC = No Connection



MicroPower Direct

CME
COMPUMESS ELEKTRONIK

CompuMess Elektronik GmbH • Lise-Meitner-Str. 1 • D-85716 Unterschleißheim
 Telefon (089) 32 15 01 - 0 • Telefax (089) 32 15 01 - 11
 info@compumess.de • www.compumess.de • www.netzteile.de

Notes:

- All dimensions are typical in inches (mm)
- Tolerance x.xx = ±0.01 (±0.25)