



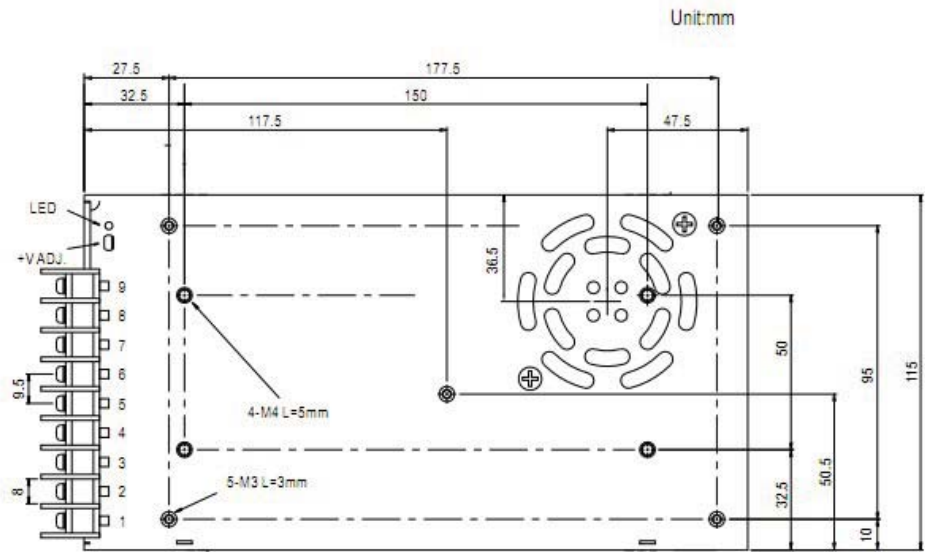
- **Features:**
 - AC input range selectable by switch
 - Protections: Short circuit/Overload/Over voltage
 - 100% full load burn-in test
 - Forced air cooling by built-in DC fan
 - LED indicator for power on
 - High efficiency up to 78%
 - Withstand 300VAC surge input for 5 second
 - Low cost, high reliability



SPECIFICATION

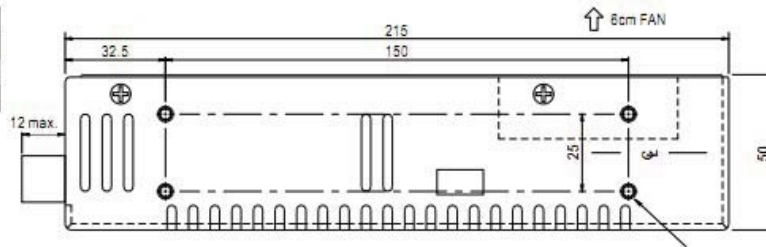
MODEL	PAS-300-5	
OUTPUT	DC VOLTAGE	5V
	RATED CURRENT	60A
	CURRENT RANGE	0~60A
	RATED POWER	300W
	RIPPLE & NOISE (max.)	180mVp-p
	VOLTAGE ADJ. RANGE	4.5-5.6V
	VOLTAGE TOLERANCE	±1.0%
	LINE REGULATION	±0.5%
	LOAD REGULATION	±1.0%
	SETUP, RISE TIME	1500ms, 60ms/230VAC 1500ms, 60ms/115VAC at full load
	HOLD UP TIME(Typ.)	20ms/230VAC 16ms/115VAC at full load
INPUT	VOLTAGE RANGE	100 ~132VAC/180~245VAC by switch
	FREQUENCY RANGE	50 ~ 60Hz
	EFFICIENCY (Typ.)	78%
	AC CURRENT (Typ.)	7A/115VAC 4A/230VAC
	INRUSH CURRENT (Typ.)	40A/115VAC 60A/230VAC
	LEAKAGE CURRENT	<5mA / 230VAC
PROTECTION	OVERLOAD	105 ~ 135% rated output power Protection type : Hiccup mode, recovers automatically after fault condition is removed
	OVER VOLTAGE	5.6 ~ 6.5 V Protection type : Hiccup mode, recovers automatically after fault condition is removed
ENVIRONMENT	WORKING TEMP.	-20 ~ +60 (Refer to "Derating Curve")
	WORKING HUMIDITY	20 ~ 90% RH non-condensing
	STORAGE TEMP., HUMIDITY	-20 ~ +85 , 10 ~ 95% RH
SAFETY	SAFETY STANDARDS	CE Approved
	WITHSTAND VOLTAGE	I/P-O/P:3KVAC I/P-FG:1.5KVAC O/P-FG:0.5KVAC
OTHERS	DIMENSION	215*115*50mm
NOTE	1. All parameters NOT specially mentioned are measured at 230VAC input, rated load and 25 of ambient temperature.	

Mechanical Specification

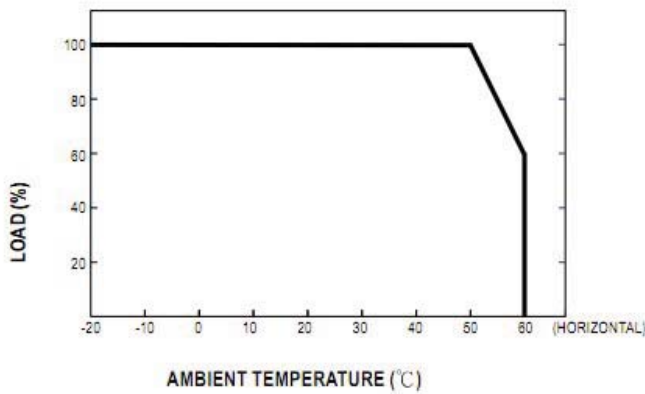


Terminal Pin No. assignment:

Pin No.	Assignment	Pin No.	Assignment
1	AC/L	4~6	DC OUTPUT -V
2	AC/N	7~9	DC OUTPUT +V
3	FG 地		



Derating Curve



Static Characteristics

