



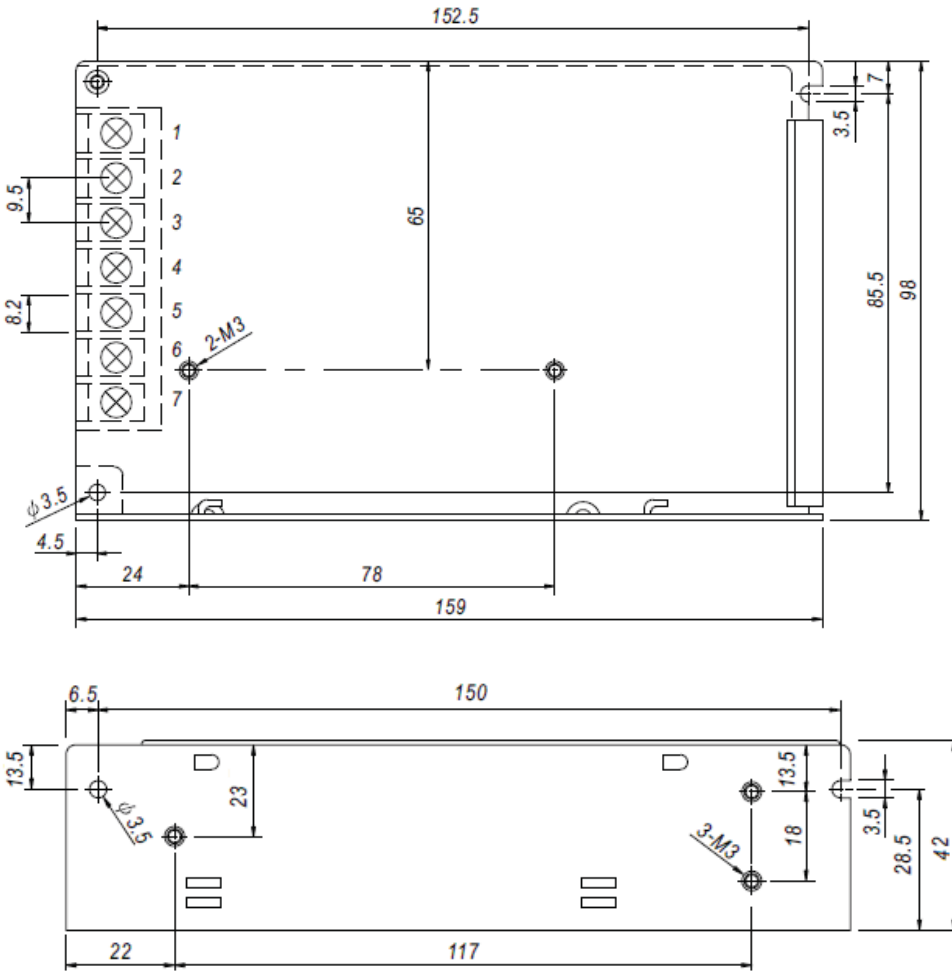
- **Features:**
- Universal AC input/Full range
 - Protections: Short circuit/Overload/Over voltage
 - 100% full load burn-in test
 - Cooling by free air convection
 - LED indicator for power on
 - High efficiency up to 80%
 - Withstand 300VAC surge input for 5 second
 - Low cost, high reliability



SPECIFICATION

MODEL	PAS-100-12	
OUTPUT	DC VOLTAGE	12V
	RATED CURRENT	8.3A
	CURRENT RANGE	0~8.3A
	RATED POWER	100W
	RIPPLE & NOISE (max.)	120mVp-p
	VOLTAGE ADJ. RANGE	11.4 -13.2V
	VOLTAGE TOLERANCE	±1.0%
	LINE REGULATION	±0.5%
	LOAD REGULATION	±0.5%
	SETUP, RISE TIME	600ms, 20ms/230VAC 600ms, 20ms/115VAC at full load
	HOLD UP TIME(Typ.)	40ms/230VAC 35ms/115VAC at full load
INPUT	VOLTAGE RANGE	100 ~ 245VAC
	FREQUENCY RANGE	50 ~ 60Hz
	EFFICIENCY (Typ.)	80%
	AC CURRENT (Typ.)	2.5A/115VAC 1.5A/230VAC
	INRUSH CURRENT (Typ.)	COLD START 36A
	LEAKAGE CURRENT	<2.5mA / 240VAC
PROTECTION	OVERLOAD	115 ~ 135% rated output power Protection type : Hiccup mode, recovers automatically after fault condition is removed
	OVER VOLTAGE	13.8 ~16.2V Protection type : Hiccup mode, recovers automatically after fault condition is removed
ENVIRONMENT	WORKING TEMP.	-20 ~ +60 (Refer to "Derating Curve")
	WORKING HUMIDITY	20 ~ 90% RH non-condensing
	STORAGE TEMP., HUMIDITY	-20 ~ +85 , 10 ~ 95% RH
SAFETY	SAFETY STANDARDS	CE approved
	WITHSTAND VOLTAGE	I/P-O/P:3KVAC I/P-FG:1.5KVAC O/P-FG:0.5KVAC
OTHERS	DIMENSION	159*98*42mm
NOTE	1. All parameters NOT specially mentioned are measured at 230VAC input, rated load and 25 of ambient temperature.	

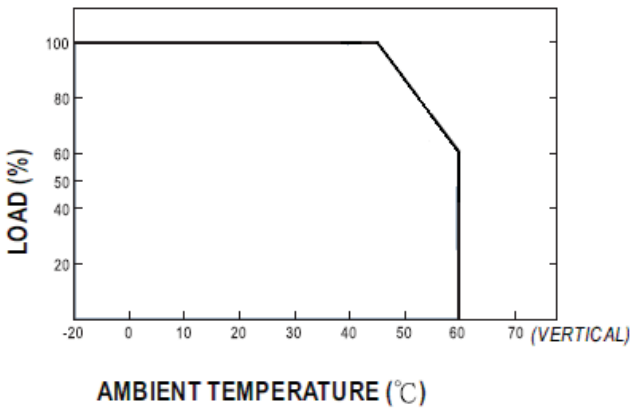
■ **Mechanical Specification**



Terminal Pin No. Assignment

Pin No.	Assignment	Pin No.	Assignment
1	AC/L	4	DC OUTPUT -V
2	AC/N	5	DC OUTPUT +V
3	FG \perp		

■ **Derating Curve**



■ **Static Characteristics**

